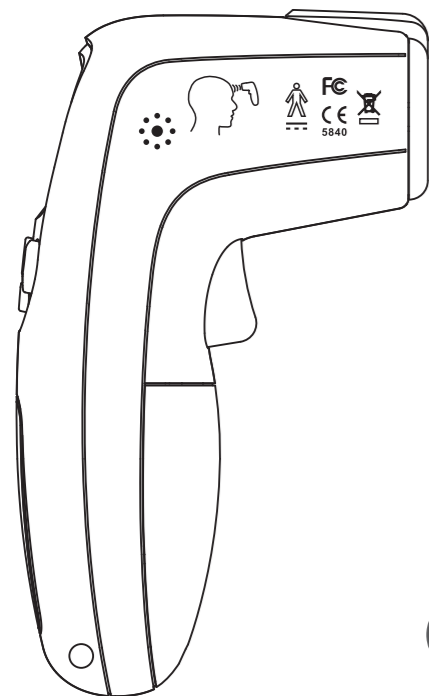


# INFRARED THERMOMETER (FOREHEAD)

## Operation Manual



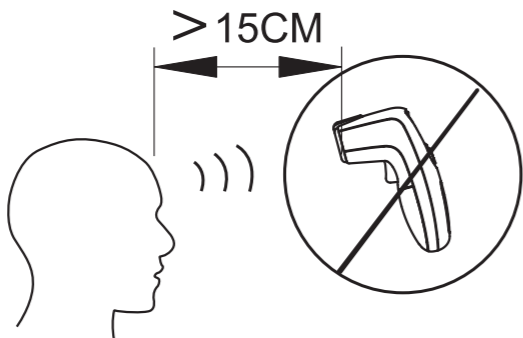
01

# INFRARED THERMOMETER

## Description

This product uses infrared induction principle can be fast, accurate temperature measurement of the amount that can quickly selected from a large population the higher temperature

- Automatic temperature compensation.
- Range:32°C~42°C
- Automatic storage 10 groups data
- °C/°F Selectable



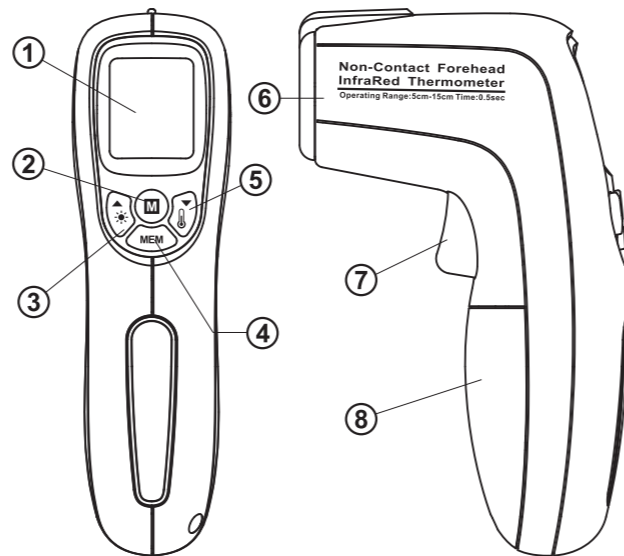
## Warning

- Please read the following information carefully before using the meter.
- the body temperature measurement for reference only, shall not be used as the basis for medical practices to determine if have abnormal temperature, make further use of medical thermometer measurements
- Measurement distance : 5~15cm.
- When the the battery symbol appears, it indicates that we must change the battery

01

# INFRARED THERMOMETER

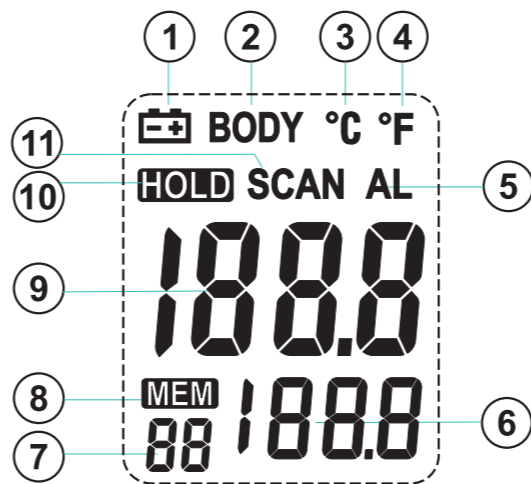
## PANEL



- |            |                 |
|------------|-----------------|
| ① Screen   | ⑤ °C/°F Switch  |
| ② Mode key | ⑥ Sensor        |
| ③ Backlit  | ⑦ Tirger        |
| ④ Mem key  | ⑧ Battery cover |

02

# INFRARED THERMOMETER



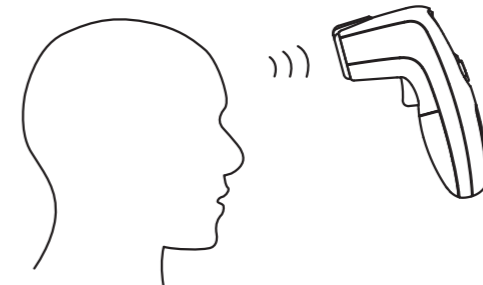
## Display

- |                  |                     |
|------------------|---------------------|
| ① Low battery    | ⑥ Secondary display |
| ② Forhead mode   | ⑦ Mem index         |
| ③ °C unit        | ⑧ Mem function      |
| ④ °F unit        | ⑨ Primary display   |
| ⑤ Alarm function | ⑩ Hold mode         |
|                  | ⑪ Scan mode         |

03

# INFRARED THERMOMETER

## Operatoring thermometer

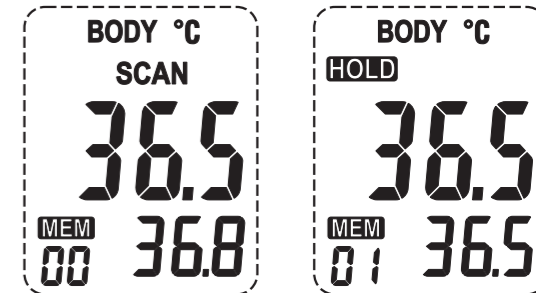


- To measure Body temperature, the measuring distance 5 ~ 15cm; press the trigger start measuring, approx 1s ,the meter sound prompts to measurement complete.when the temperature higher 42 °C or lower 32 °C the meter display 'Hi', 'LO'.
- The meter turns off when no activity is detected for ten seconds.
- Press key to light on or off the backlight.
- Press key to enter alarm or temperature adjust function.
- Press key to switch between °C or °F.
- Press **MEM** key to active memory function.

04

# INFRARED THERMOMETER

## Memory function

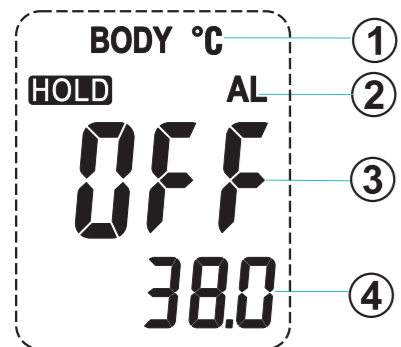


- Press 'MEM' key to active memory function ,in memory mode,the meter display 'MEM'.
- When memory function is activated ,after the measurement completed ,the meter will automatic record the data.
- Record up to 10 groups of the last measurement data, serial number from 0 to 9, when the stored number is greater than 9 meters automatically store the number 0 from the store.
- Press key to page up.
- Press key to page down

05

## INFRARED THERMOMETER

### Alarm function



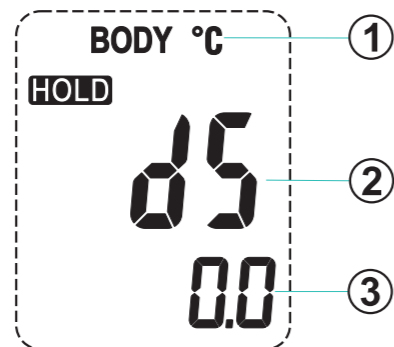
- ① Unit
- ② Alarm indicator
- ③ Alarm function status
- ④ Alarm value

- Press **M** key switch to alarm function status.
- Press **MEM** key to turn on or off alarm function; then alarm function be turn on, the AL sign will be displayed in scan mode .
- Press **▲** key to increase the alarm value.
- Press **▼** key to decrease the alarm value.
- Press **M** key to save and exit alarm function status .

06

## INFRARED THERMOMETER

### Temperature adjust

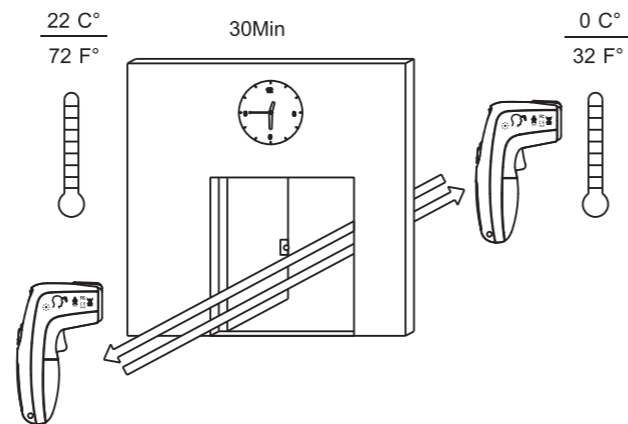


- ① Unit
- ② Temperature adjust status
- ③ Temperature adjust value

- Press **M** key switch to alarm function status.
- Press **▲** key to increase the alarm value.
- Press **▼** key to decrease the alarm value.
- Press **M** key to save and exit temperature adjust status.

07

## INFRARED THERMOMETER

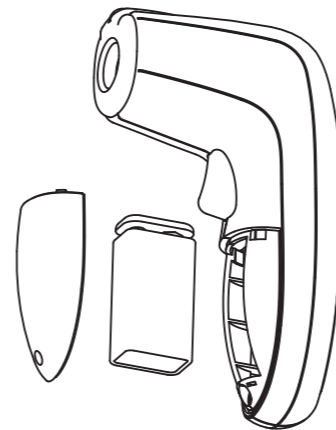


### Note 1:

When ambient temperature changes quickly, must wait 30 minutes to balance the temperature of the instrument before use.

08

## INFRARED THERMOMETER



### Note 2:

When the battery voltage is lower, the battery symbol appears, it indicates that we must change the battery.

09

## INFRARED THERMOMETER

### Specifications

Temperature range	32°C~42°C (89°F~108°F)	Certifications	CE
Accuracy:Assumes ambient operating temperature (23°C ±2°C)	32~42°C (±0.4°C)	Spectral response	8-14 um
Measurement distance	5~15cm	Response time	approx1s
Repeatability	0.1°C	Dimensions	142×92×47mm
Resolution	0.1°C/0.2°F	Weight	135g
Ambient Operating Range	15°C~35°C	Power	9V 6F22
Relative humidity	10%~90%		
Standards	Conforms to EN61326/EN61010-1		

10

## INFRARED THERMOMETER

### Warranty

This product will be free from defects in material and workmanship for eighteen months from the date of purchase. this warranty does not cover disposable batteries or damage for accident, neglect, misuse alteration conntamination, or abnormal conditions of operation ro handling.



11

HYS006649